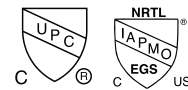


Heated Bidet Toilet Seat

FEATURES:

- Installs on most elongated toilets using common household tools; includes all hardware, mounting plate and AC adapter
- Looks and feels like a traditional toilet seat: push button activates the bidet nozzle when you need it, tucks away when you don't
- Three bidet water rinse options for the ultimate in hygiene
- Anti-bacterial bidet nozzle
- Built-in nightlight and deodorizer enhance the functionality
- Air with 6 variable temperature settings
- Heated seat with 5 different temperature options
- 5 water temperature adjustments and 5 water levels to choose from
- Quiet open and close seat
- Safety features built in: seat temperature automatically lowers a level after 1min 10sec to prevent overheating
- Remote control + remote wall hanger included (batteries included)



SPECIFICATIONS:

MAIN UNIT	Rated Voltage	AC 110-120V; 50/60Hz
	Rated Power	960W
	Electrical Cord	4ft (1.2m) length Adapter is a GFCI
	Water Proof	IPX4
CLEANSING DEVICE	Heating Method	Instant Heat
	Water Temperature	Adjustable Water Temperature Settings : 86°F - 104°F.
		Safety Device : thermistor
	Spray (Water) Volume	0.106GPM to 0.132GPM gpm
	Cleansing Mode	Rear Cleansing/Massage
		Front (Feminine) Cleansing
	Spray Nozzle Location	Adjustment Settings: 5
	Water Pressure Range	Rear Cleansing/Massage: 20-80PSI
		Front (Feminine) Cleansing: 20-80PSI
	Antifouling Features	Swift Water Discharge Device
		Automatic Cleaning Nozzle
		Anti-Siphon
		Anti-Backflow
	Safety Features	Filter
Water Temperature Sensor		
Dry Heating Protection		
Thermostat, Temperature Fuse		
Ground Fault Protection		
Leakage Protection		
Anti-Freeze Protection		
Pressure Stabilizer		

DRYER	Warm Air Volume	Air Flow Volume: over 7ft ³ /min (0.2m ³ /min)
	Warm Temperature	Adjustable Air Temperature Settings: 91°F - 136°F
	Heating Power	200W
HEATED BIDET SEAT	Safety Features	Bimetallic Thermostat, Temperature Fuse Temperature Sensor
	Surface Temperature	Adjustable Surface Temperature Settings: 86°F - 106°F
	Heating Power	50W
	Seat Close Mechanism	Quiet Slow Close
	Burn Protection	Seat temperature will slowly begin lower after 1min 10 sec. of sitting until reaching the lowest level
	Safety Features	Seating Sensor
		Temperature Sensor
		Bimetallic Thermostat, Temperature Fuse
	High Temp Cut-Off	
	Anti-Bacterial Feature	Anti-Bacterial Seat
Night Light Assembly	Intelligent: day/light - off; night/dark - on	
Deodorization	TiO ₂ (Titanium Dioxide) photocatalysis	

Information continues on next page

1. All dimensions are in inches (millimeters) unless otherwise specified and are subject to change without notice. 2. Contractor to supply necessary inlet connections. 3. Only fits on an elongated toilet.

Heated Bidet

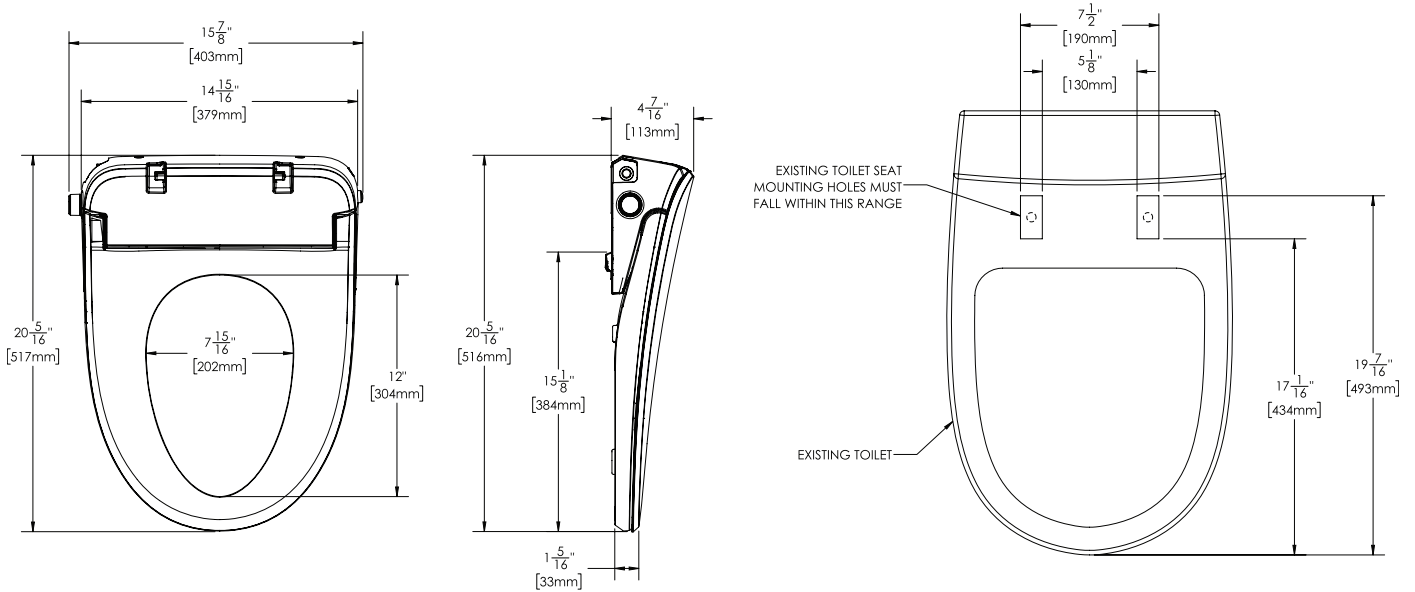
STANDARDS:

- ASME A112.4.2/CSA B45.16 certified
- UL 1431
- CSA C22.2 No. 68
- CSA C22.2 No. 64

WARRANTY:

Visit www.speakman.com for full product warranty information

Product	Warranty Period Residential Installation	Warranty Period Commercial Installation
Vitreous China Material	Limited Lifetime	10 Year Limited
Mechanical Components	Limited*	Limited*
Seat	1 Year Limited	1 Year Limited



All dimensions are in inches (millimeters) unless otherwise specified and are subject to change without notice.

Architect/Engineer Approval Space:

P: 800-537-2107
 F: 800-977-2747
 W: WWW.SPEAKMAN.COM
 R: 02-SEPTEMBER 2020